

record CURVED

Sliding doors in any imaginable radius



CURVED



record

your global partner for entrance solutions



record

your global partner for entrance solutions

CURVED

record CURVED portfolio

Doors define entrance areas and thus entire buildings. record CURVED sliding doors are ideally suited to add stylish elegance to a facade. They give the entrance an inviting look and are extremely versatile, enabling optimal use of space. More light and more space lend an entrance area a beautifully spacious appearance.

Applications

- Hospitals / Nursing homes
- Shopping centres
- Airports
- Hotels
- Office buildings
- Banks / Insurance companies
- Convention centres / Museums
- Luxury shops

Sliding doors in any imaginable radius

record CURVED door systems have been perfected technically and from a quality point of view, and can accommodate diameters of up to 10 metres. They are equipped with near-silent drive mechanisms, which can be integrated into the ceiling or concealed under the finished floor. Concealed underfloor drive units, in conjunction with all-glass CURVED door systems, provide a particularly light and transparent visual effect, and are the preferred choice for glass facades.

Door systems give you complete freedom of choice of materials, whether brass, chrome, stainless steel, any RAL colour or bespoke radius. Diameter and overall height, are like radius available in a variety of sizes.



Flexible in every respect

A proven concept

The record system 20 is the core component of our automatic door drives. Starting with this system, we can provide a wide range of doors based on the same components, which are adapted to the respective requirements.

The record system 20 enables you to implement all entrance solutions, including standard and telescopic sliding doors or curved sliding doors. These suit spacious areas with generous openings, or in tight spaces we provide folding doors or angled sliding doors. The flexible, modular system shortens installation time and reduces servicing and maintenance costs.

record CURVED Standard

The standard semi-circular and round versions are simple to operate, easy to install and come in a wide variety of design options. This door can be CURVED inwards or outwards and integrated in passage widths between 1 000 and 2 400 mm.

record CURVED Special

These customised solutions for passage widths from 1 000 to 3 000 mm offer great versatility. Versions derived from the standard shapes as well as ovals, double segments and corner solutions are all feasible. The optional concealed underfloor drive suits all-glass facades. Thanks to their immense variability and wide range of

designs, the record CURVED sliding doors allow virtually infinite freedom in design.

Benefits and advantages

- Attractive alternative to revolving doors
- Burglar resistant according to RC2 / RC3 according to EN 1627 (with certificate)
- TÜV approved
- Suitable for escape and emergency routes
- User-friendly and reliable
- Exceptionally quiet
- Installation and commissioning by record

record CURVED options

	CURVED Standard 180° / 360°	CURVED CONVEX	CURVED CONCAVE	CURVED SPECIAL
Dimensions				
Exterior diameter Q	1 600–3 600 mm	from 1 600 mm	from 1 600 mm	1 600–6 000 mm
Radius R	800–1 800 mm	from 800 mm	from 800 mm	800–3 000 mm
Passage width A	1 000–2 400 mm	from 1 000 mm	from 1 000 mm	1 000–3 300 mm
Passage height G	2 200–3 000 mm	2 200–3 000 mm	2 200–3 000 mm	2 200–4 000 mm
Canopy height	200–300 mm	200–300 mm	200–300 mm	200–1 000 mm
Overfloor drive	●	●	●	●
Under-floor drive				●
Full glass version				●
Escape and evacuation routes	●	●	●	●
Connection to access control system	●	●	●	●
Connection to building management system	●	●	●	●
Interlock mode (2 x 180° doors)	●			●
Dead man	●	●	●	●
Air curtain	● from Q > 2 300 mm			● from Q > 1 800 mm
Locking device	●	●	●	●
Multipoint locking	●	●	●	●
Watertight roof	●			●
Emergency opening push button	●	●	●	●
Stainless steel/bronze finish	●			●
Stove enamelled (RAL)	●	●	●	●
Pocket screens	●	●	●	●
EN16005 / DIN18650	●	●	●	●
TÜV approved	●	●	●	
RC2 / RC3 according to EN 1627	● from Q > 1 800 mm	● from Q > 1 800 mm		

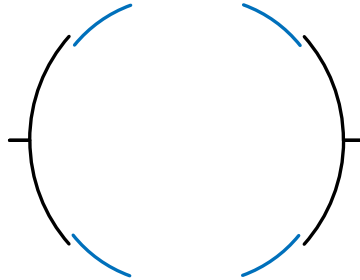
Basic shapes and special versions

CURVED Standard, 180°/360°

800 mm - 1 800 radius

Semi-circular, 180°
Feasible with CURVED Standard

Round, 360°
Feasible with CURVED Standard



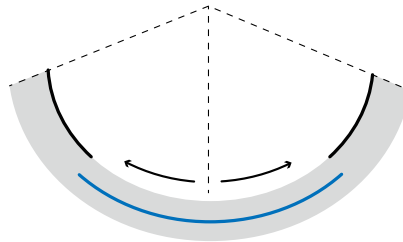
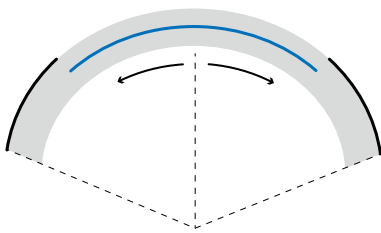
CURVED Convex

Curved Outwards
Feasible with CURVED Convex

CURVED Concave

Curved Inwards
Feasible with CURVED Concave

from 800 mm radius



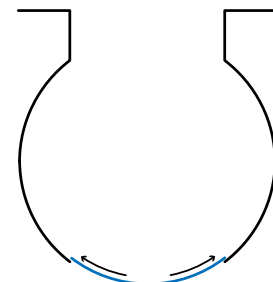
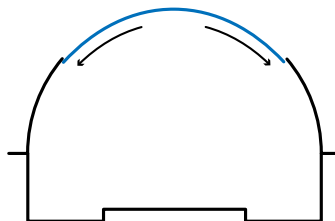
CURVED Special, 180° - 360°

800 mm - 3 000 radius

Corner door 90°, optimal use of space
Feasible with CURVED Special

Semi-circular, with windbreak 180° and linear sliding door, feasible with CURVED Special

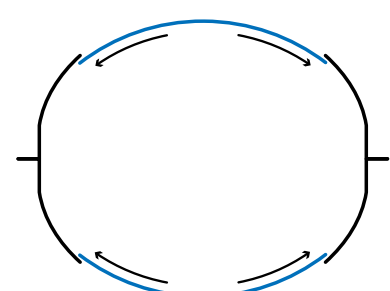
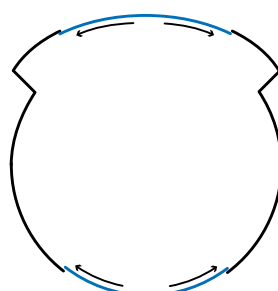
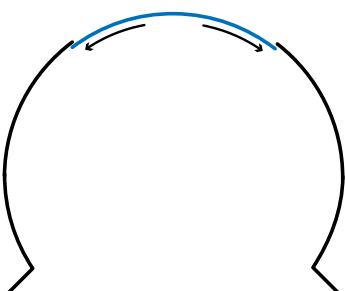
Semi-circular, anchored
Feasible with CURVED Special



Corner door, 270°
Feasible with CURVED Special

Enlarged windbreak
Feasible with CURVED Special

Oval, with windbreak
Feasible with CURVED Special





record

your global partner for entrance solutions

record CURVED Standard

Aesthetics, comfort and safety

The standard semi-circular and round versions are used in all types of public buildings. They accentuate the beauty of the architecture and convey both character and elegance right at the entrance.

Whether semi-circular or round, both forms can be used even in confined spaces to create comfortable passage solutions up to a maximum width of 3600 mm. The efficient, affordable standard solutions are an attractive alternative to revolving doors.

Door profiles in thicknesses of 20 or 30 mm are available for the record system 20. The profiles as well as the drive housings can be anodised or powder-coated.

The drive height ranges from 200 to 220 mm. The drive unit can be installed in the lintel, free-standing or integrated in the ceiling.

Functional and user-friendly

The door systems are equipped with the required accessories specific to each customer and solution.

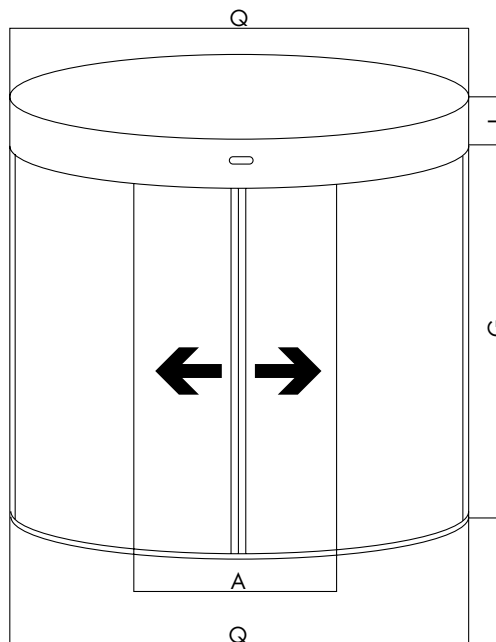
- BDE control panel
- Safety sensors
- Locking
- Floor tracks

The quiet operation for which record is renowned is reflected in the extremely harmonious motion of the door leaves.

Certifications

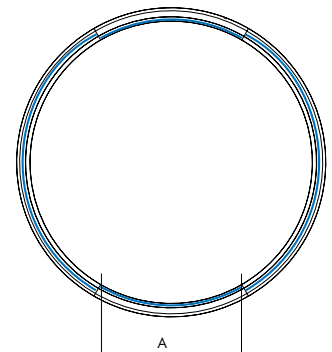
The record system 20 meets the requirements of the Machinery Directive 2006/42/EC, DIN 8650, EN 16005 and all relevant national and international standards.

Dimensions in mm				
Q = 2 x R	A max.		G	I
	20mm profile	30mm profile		
1600	1000	1000	2200-3000	200-300
1800	1150	1150		
2000	1280	1280		
2200	1420	1420		
2400	1550	1550		
2600	1690	1690		
2800	1830	1830		
3000	1960	1960		
3200	2100	2100		
3400	2240	2240		
3600	2360	2360		



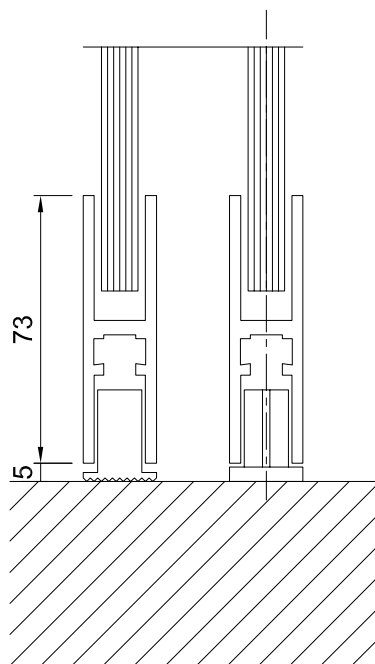
- Q Total outer diameter
- A Passage width
- G Passage height
- I Canopy height

- Dimensions are for reference purposes
- Specific dimensions are available depending on requirements
- Max. door leaf weight: up to 2x200 kg

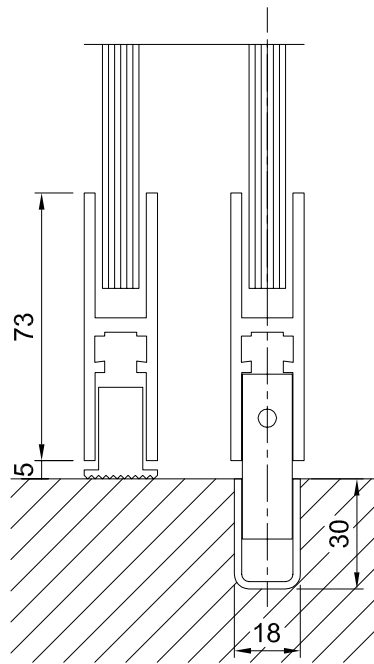


record CURVED Standard 180/360

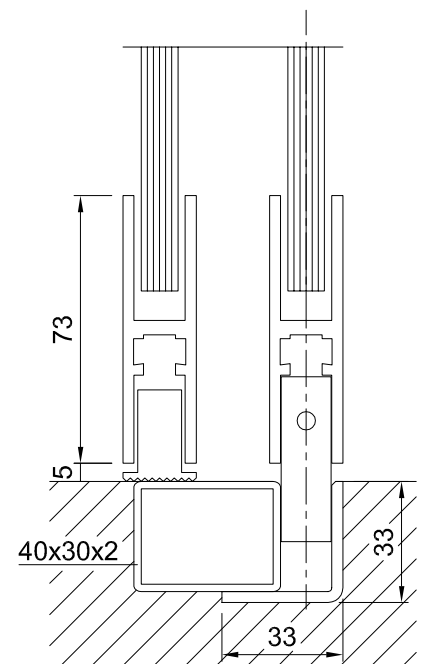
Floor design record CURVED Standard with side section
20 mm profile



Floor guide



Floor track



Substructure

The sectional drawings serve as examples. Doors are available in various versions with and without side sections and with 20 mm or 30 mm profiles.

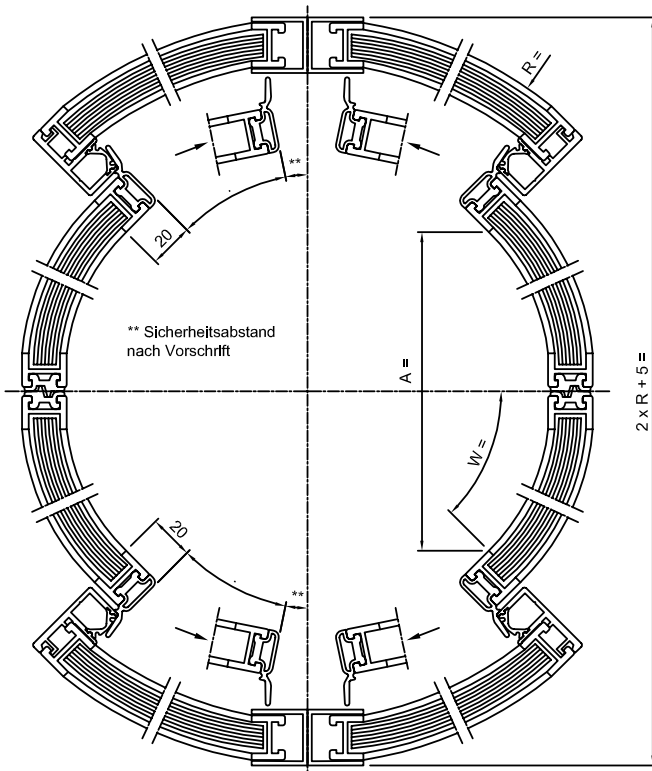
You'll find further information and detailed drawings online at our website www.record.group/countries





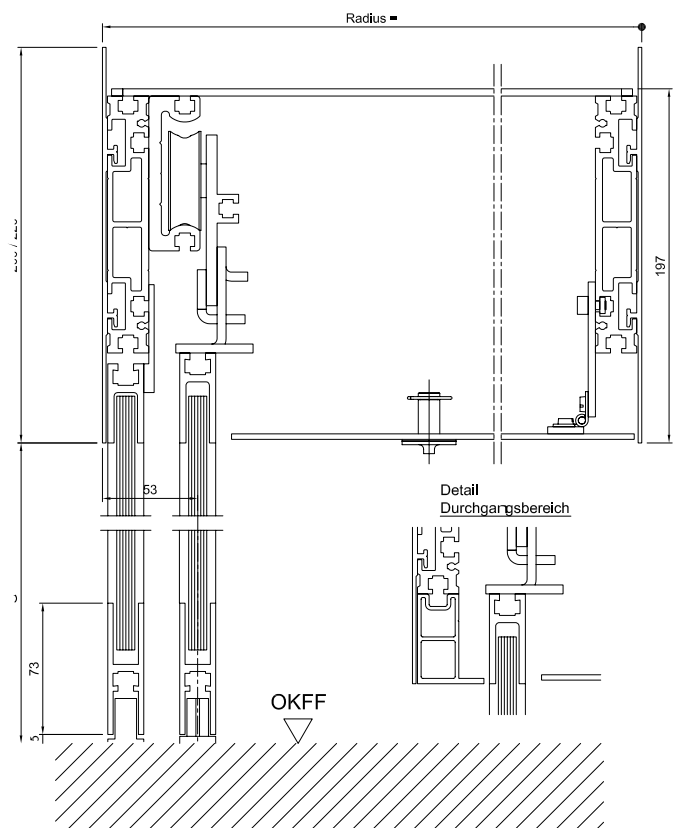
Horizontal section

20 mm profile



Vertical section

20 mm profile



record CURVED Convex / Concave

Design freedom and optimal use of space

The CURVED Convex and Concave segmented doors can be curved inwards or outwards and can be integrated in virtually any radius.

Glazing

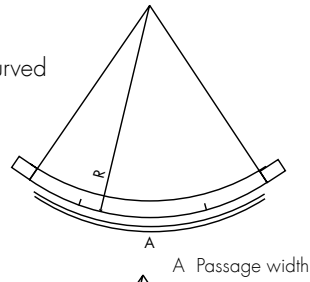
P4 A and P4 B are available.

Floor design equivalent to CURVED Standard 180 / 360

Max. door leaf weight: up to 2x200 kg

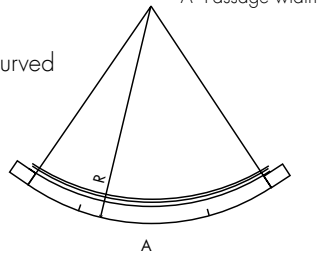
Convex

Door leaf curved outwards

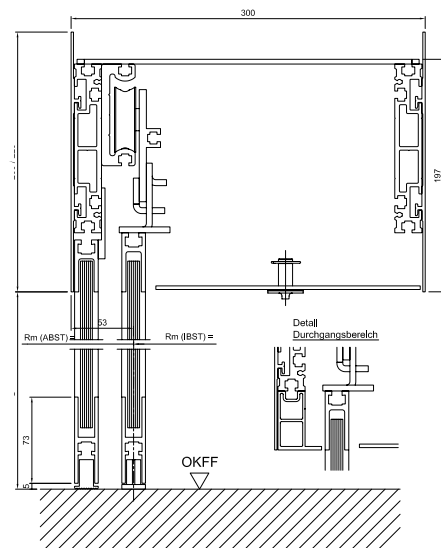


Concave

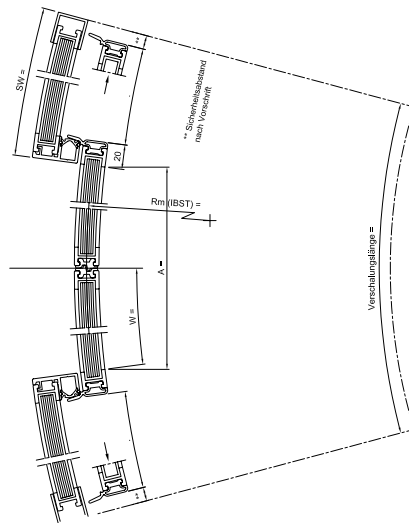
Door leaf curved inwards



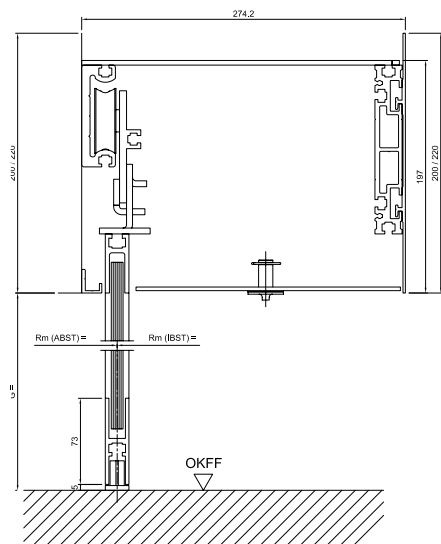
Vertical section with side section



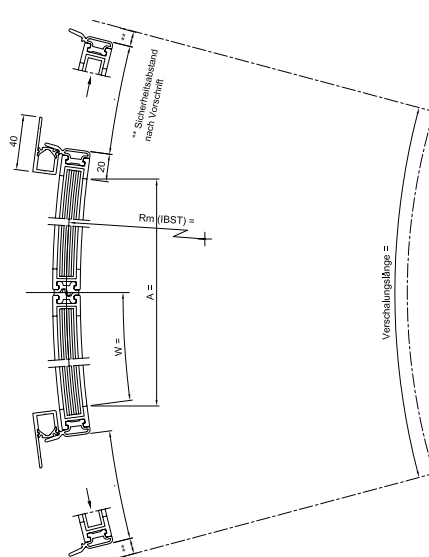
Horizontal section with side section



Vertical section without side section



Horizontal section without side section



record CURVED Special

Individuality and combinations of choice

The CURVED Special under-floor drive for sliding doors enables both inward and outward curves. There are no restrictions with regard to the radius used.

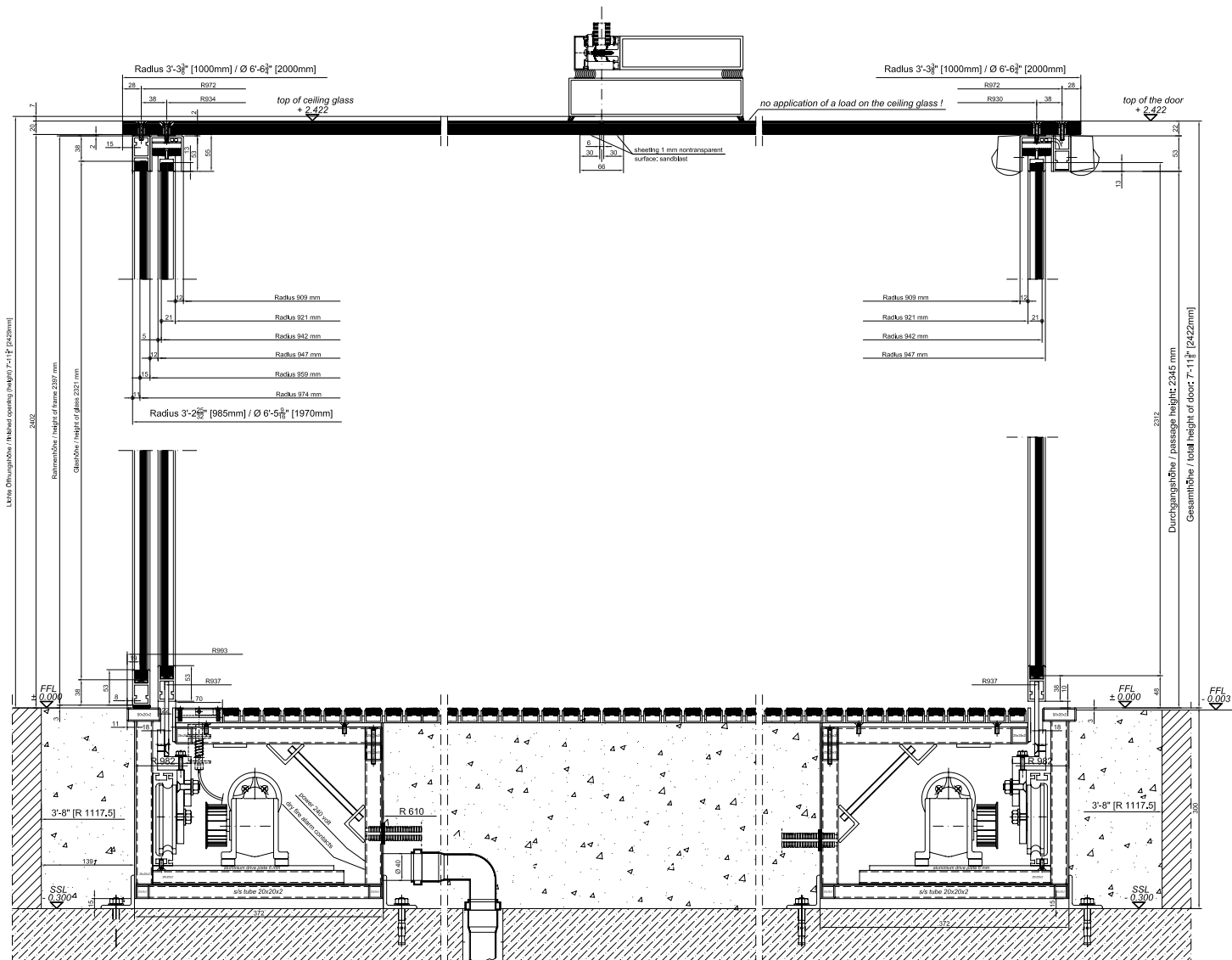
In the CURVED under-floor version, the entire weight of the door rests solely on the drive module in the floor. The upper guide rail is designed only to bear horizontal wind load forces. It must have a height of at least 55 mm. Currently, the maximum height of the door systems is 5000 mm.

As an option, the doors can be controlled by motion sensors embedded in the floor. Even with peripheral devices, we ensure the drive unit is invisible across the entire range of models.

record CURVED Special for

- Special dimensions
- All-glass versions
- Under-floor version
- Special air curtain
- Special glazing

For your project specific solutions we are happy to advise you personally.
www.record.group/countries



Contact

→ **record UK limited**

Head Office: Unit D, 9 Watt Place, Hamilton International Park, Blantyre, G72 0AH – UK

Northern Office: Unit 2, Shaw Cross Court, Horace Waller V C Parade, Shaw Cross Business Park, Dewsbury, WF12 7RF – UK

Midland Office: Pattison House, Midland Road, Walsall, WS1 3DQ

Southern Office: 17 Invincible Road – Farnborough, GU14 7QU – UK

tel.: +44 1698 376411 – fax: +44 1698 376422 – info@recorduk.co.uk – www.recorduk.co.uk

Headquartered in Switzerland, the record group sells its products and services across the globe and has subsidiaries in many countries.

Global sales and service contacts: www.record.group/countries

10 / 2020 – n° 102-998401833 – We reserve the right to make technical changes without notice

